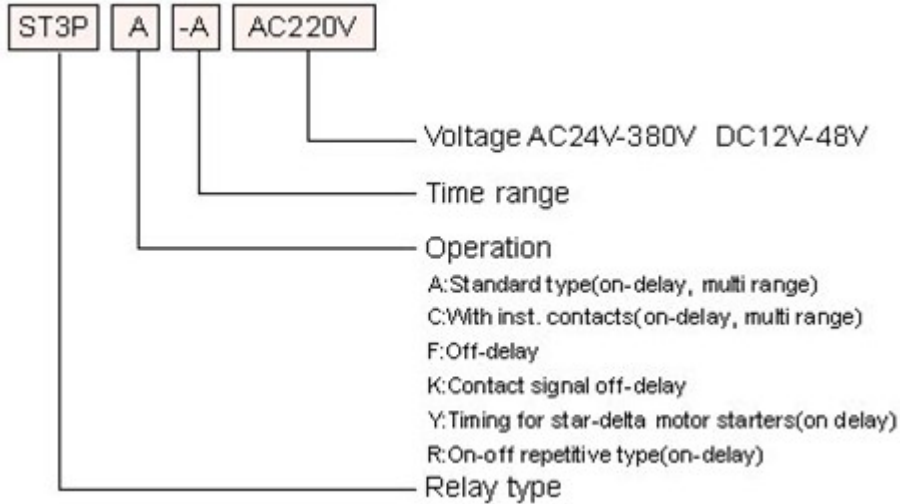


### ST3P 系列时间继电器

### ST3P Series Time Relay



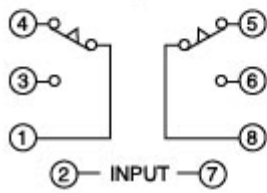
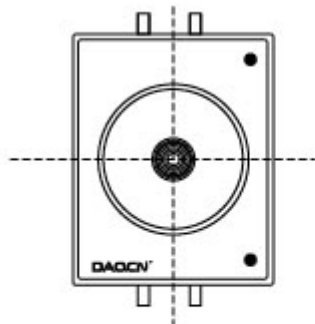
### 规格 Specification

电压 Voltage	DC12V-48V AC12V-380V50HZ
功率 Power expend	DC1.0W AC1.0VA
控制输出 Control output	5A220VAC
绝缘电阻 Insulation Resistance	DC500V 100MΩ
抗电强调 Dielectric Strength	BCC1500VAC BOC1000VAC
温度 Operating Temperature	-10℃~50℃
湿度 Humidity	35%~85%
寿命 Life	Mech:107 Elec:103
重量 Weight	≈50g

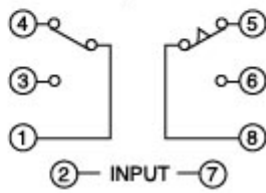
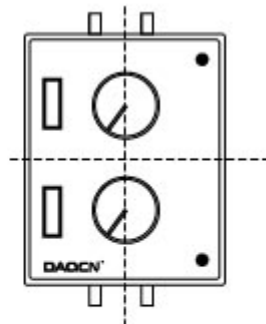
### 时间范围 Time range

开关位置 Switch position	1	2	3	4
时间号码 Time NO.	1 2 3 4	1 2 3 4	1 2 3 4	1 2 3 4
A	0.05-0.5s	0.05-5s	2.5-30s	0.25-3m
B	0.1-1s	0.1-10s	5-60s	0.5-6m
C	0.5-5s	5-50s	0.5-5m	2.5-30m
D	1-10s	10-100s	1-10m	5-60m
E	5-60s	1-10m	5-60m	0.5-6h
F	0.25-2m	2.5-20m	0.25-2h	1-12h
G	0.5-4m	5-40m	0.5-4h	2-24h

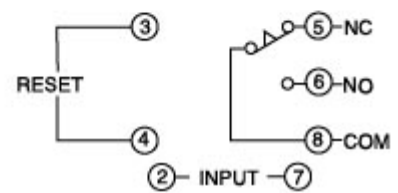
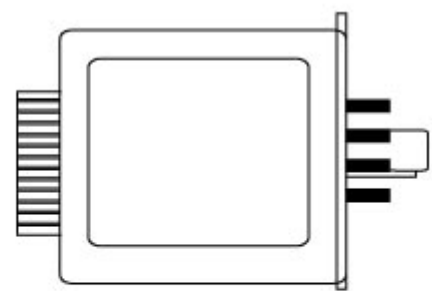
### 外形尺寸图及接线图 Dimension and Wiring



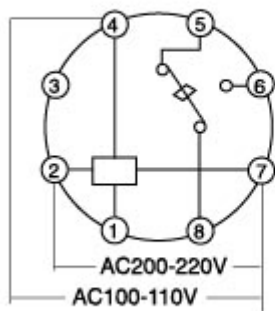
**ST3PA**



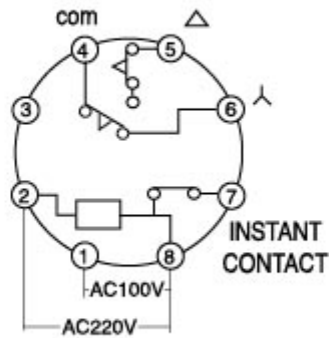
**ST3PC**



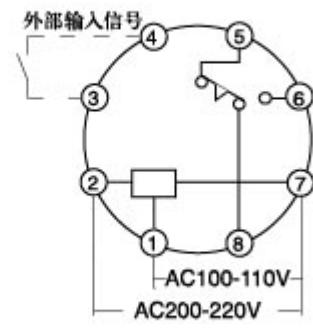
**ST3PF**



**ST3PY**



**ST3PR**



**ST3PK**